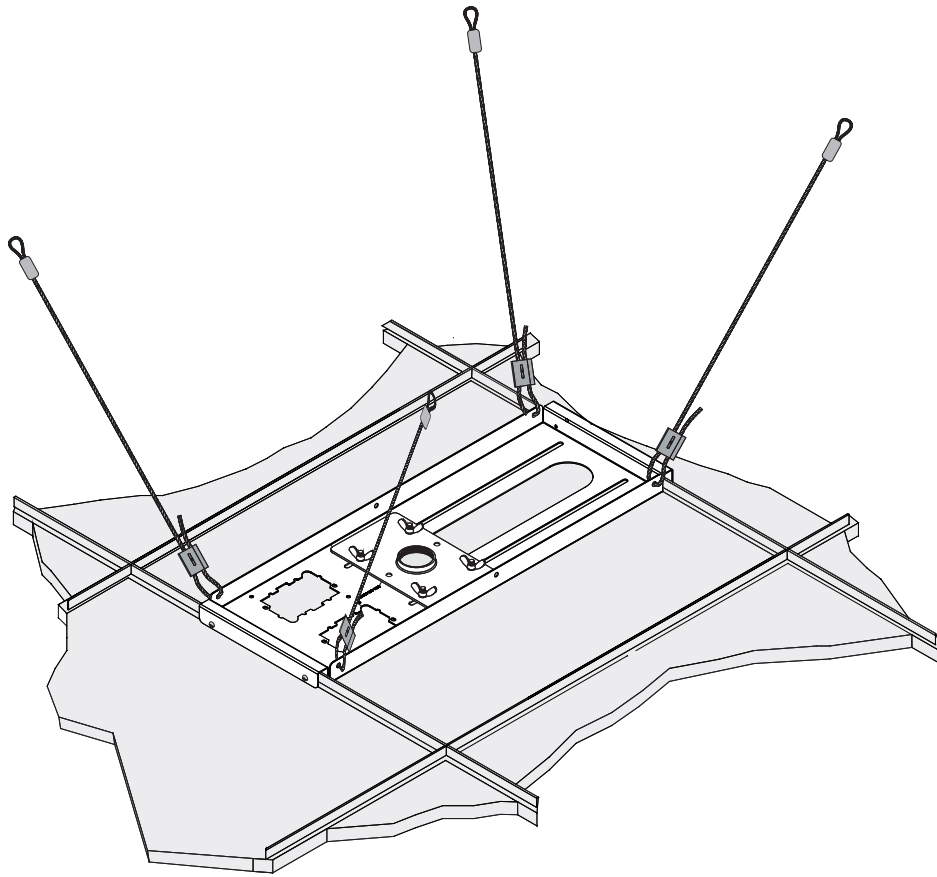


## INSTALLATION INSTRUCTIONS



# PP-FCTA-QL

## Suspended Ceiling Adapter

---

### NORTH AMERICA

3130 East Miraloma Avenue  
Anaheim, CA 92806 USA  
USA and Canada  
Phone: (800) 368-9700  
Fax: (800) 832-4888  
Other Locations  
Phone: (001) 714-632-7100  
Fax: (001) 714-632-1044

### EUROPE

Unit 3, The Moorings Business Park  
Channel Way, Longford  
Conventry, CV6 6RH,  
Phone: +44 (0) 2476 644105  
Fax: +44 (0) 2476 644165



## Contents

Weight Limit.....	2
Warning Statements.....	2
Installation Tools.....	3
Parts List.....	3
Features.....	4
PP-FCTA-QL Installation.....	5
Cutting the Access Hole.....	5
Mounting the PP-FCTA-QL.....	6
Securing the Ceiling Plate.....	7
Electrical Box Cut-out Removal.....	7
Ceiling Attachment.....	8
Quick Lock Installation.....	10
Securing 1 1/2" NPT to the PP-FCTA-QL.....	13
Securing the Camera (optional).....	13
Technical Specifications.....	14
Warranty.....	15
Disclaimer.....	15

## Weight Limit

Maximum Projector Weight: **50 lbs.**

THE CEILING STRUCTURE MUST BE CAPABLE OF SUPPORTING AT LEAST FIVE TIMES THE WEIGHT OF THE PROJECTOR. IF NOT, THE CEILING STRUCTURE MUST BE REINFORCED.

## Warning Statements



PRIOR TO THE INSTALLATION OF THIS PRODUCT, THE INSTALLATION INSTRUCTIONS MUST BE READ AND COMPLETELY UNDERSTOOD. KEEP THESE INSTALLATION INSTRUCTIONS IN AN EASILY ACCESSIBLE LOCATION FOR FUTURE REFERENCE.



PROPER INSTALLATION PROCEDURE BY A QUALIFIED SERVICE TECHNICIAN MUST BE FOLLOWED, AS OUTLINED IN THESE INSTALLATION INSTRUCTIONS. FAILURE TO DO SO COULD RESULT IN PROPERTY DAMAGE, SERIOUS PERSONAL INJURY, OR EVEN DEATH.



SAFETY MEASURES MUST BE PRACTICED AT ALL TIMES DURING THE ASSEMBLY OF THIS PRODUCT. USE PROPER SAFETY EQUIPMENT AND TOOLS FOR THE ASSEMBLY PROCEDURE TO PREVENT PERSONAL INJURY.



PREMIER MOUNTS DOES NOT WARRANT AGAINST DAMAGE CAUSED BY THE USE OF ANY PREMIER MOUNTS PRODUCT FOR PURPOSES OTHER THAN THOSE FOR WHICH IT WAS DESIGNED OR DAMAGE CAUSED BY UNAUTHORIZED ATTACHMENTS OR MODIFICATIONS, AND IS NOT RESPONSIBLE FOR ANY DAMAGES, CLAIMS, DEMANDS, SUITS, ACTIONS OR CAUSES OF ACTION OF WHATEVER KIND RESULTING FROM, ARISING OUT OF OR IN ANY MANNER RELATING TO ANY SUCH USE, ATTACHMENTS OR MODIFICATIONS.



At least two qualified people should perform the assembly procedure. Personal injury and/or property damage can result from dropping or mishandling the projector.



This product is intended for indoor use only. Use of this product outdoors could lead to product failure and/or serious personal injury.



Do not install near sources of high heat. Do not install on a structure that is prone to vibration, movement or chance of impact.




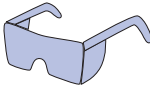



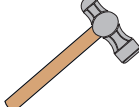


Contact Premier Mounts with any questions:  
(800) 368-9700  
techsupport@mounts.com



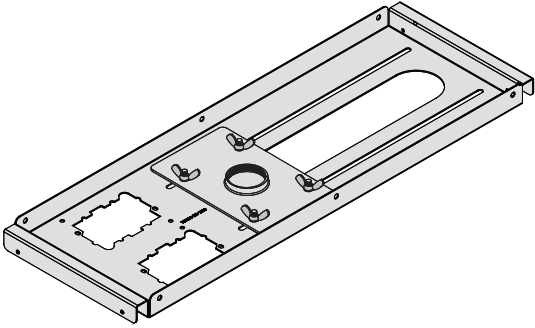
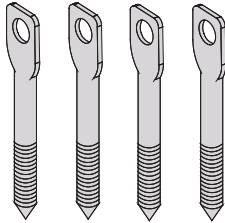
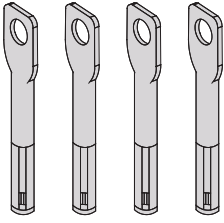
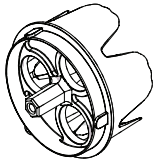
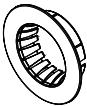
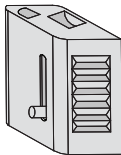

## Installation Tools

The following tools may be required, dependent upon your particular installation. These tools are not provided by Premier Mounts, but you can purchase them at your local hardware store.

Ladder 	Hand Held Drill 	Pencil 	Protective Eyewear 	Phillips Tip Screwdriver 
	1/8" Drill Bit 	1/4" Concrete Drill Bit 	Hammer 	

## Parts List

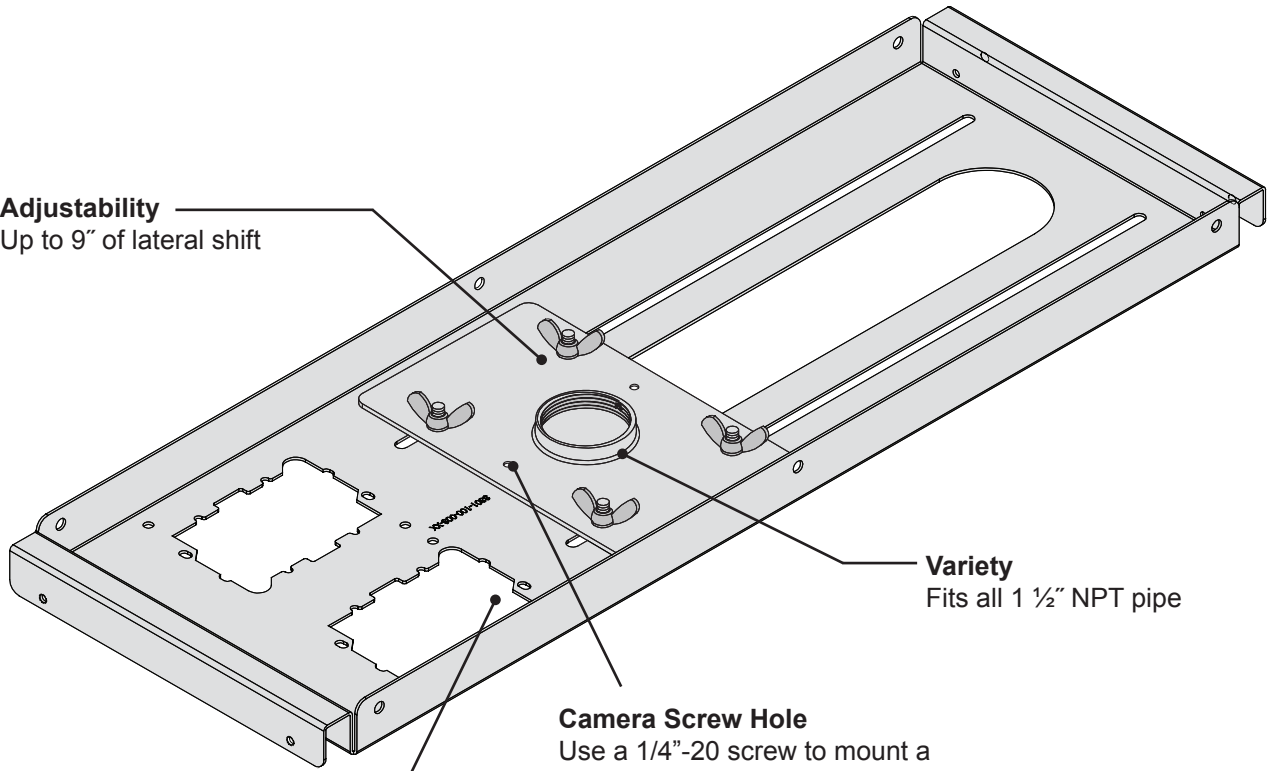
Your Premier Mounts product is shipped with all proper installation hardware and components. Make sure that none of these parts are missing and/or damaged before beginning the installation. If there are parts missing and/or damaged, please stop the installation and contact Premier Mounts at (800) 368-9700.

PP-FCTA-QL Mount Hardware			
 Main Ceiling Plate (Qty 1)	 1/4" x 3" Eye Lag Screws (Qty 4)	 M6 x 2.4" Eye Lag Anchors (Qty 4)	
 Hole Saw (Qty 1)	 Escutcheon Ring (Qty 1)	<b>Quick Lock Cable Kit</b>	
		 Quick Locks (Qty 4)	 1/16" x 25' Braided Cable (Qty 4 Strands)



## Features

**Adjustability**  
Up to 9" of lateral shift

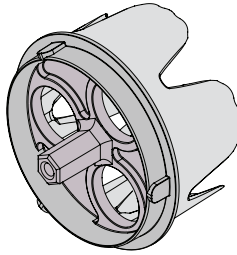
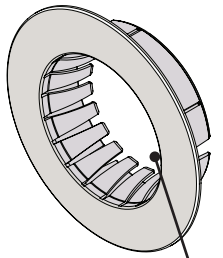


**Variety**  
Fits all 1 1/2" NPT pipe

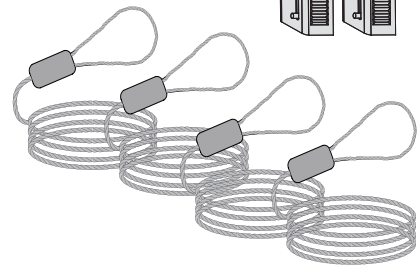
**Camera Screw Hole**  
Use a 1/4"-20 screw to mount a camera alongside the projector

**Electrical Access**  
Knockouts for electrical or signal junction boxes

**Includes the Quick Lock Cable Kit**



Escutcheon Ring with integrated hole saw



## Introduction

Please read these installation instructions once thoroughly before attempting to install your Premier Mounts product.

Please take a minute to familiarize yourself with the contents of the package and make sure you have all the parts and tools you need to safely complete the installation.

In addition, some steps of this installation may require two people to prevent personal injury and/or damage to your projector. Please observe all warnings in the following installation procedure and utilize proper safety equipment at all times.

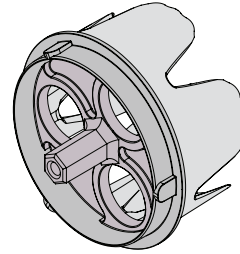


## Cutting the Access Hole

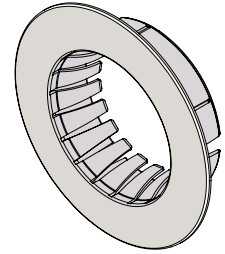
Observe the room and the ceiling; find the most appropriate location for the projector placement and lightly mark the bottom of the tile.

- 1) Separate the escutcheon ring and the hole saw.
- 2) Attach the hole saw to a hand held drill. If no drill is available, you may turn by hand.
- 3) Determine where the hole will be and mark this location with a pencil (**A**).
- 4) Place the hole saw over the spot where the mark was made (**B**).
- 5) Carefully depress the trigger on the hand held drill and begin to drill the hole, being careful not to damage the ceiling tile (**B**).
- 6) Once complete, place the drill off to the side and pick up the escutcheon ring.
- 7) Line the escutcheon ring up with the drilled hole in the ceiling tile (**C**).
- 8) Insert the escutcheon ring into the hole and gently push it into place (**D**).

You may need to pinch the escutcheon ring into place. This can be done by taking your index finger and placing it up into the mounting hole and pressing down from the top. Your thumb will press up from the bottom, effectively pinching the escutcheon ring into place.

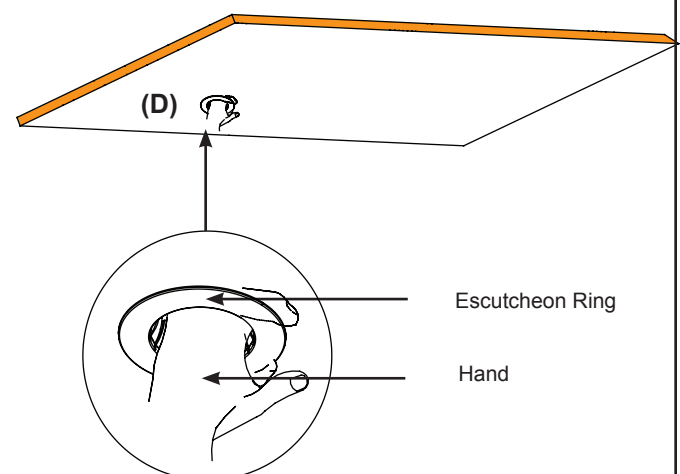
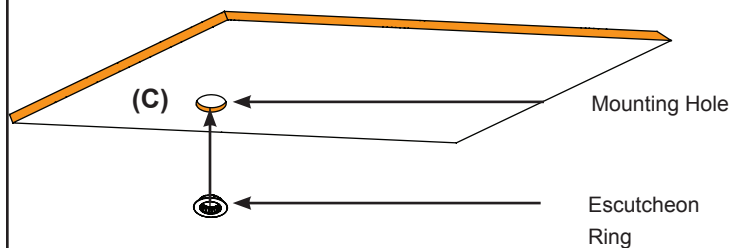
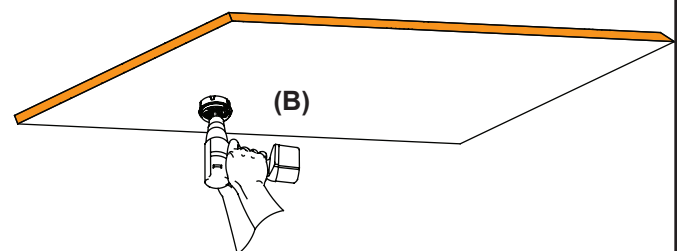
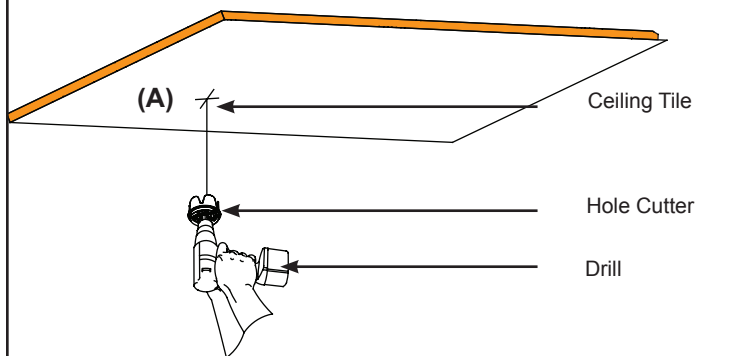


Hole Saw



Escutcheon Ring

Proceed to the "Mounting the PP-FCTA-QL" on page 6.



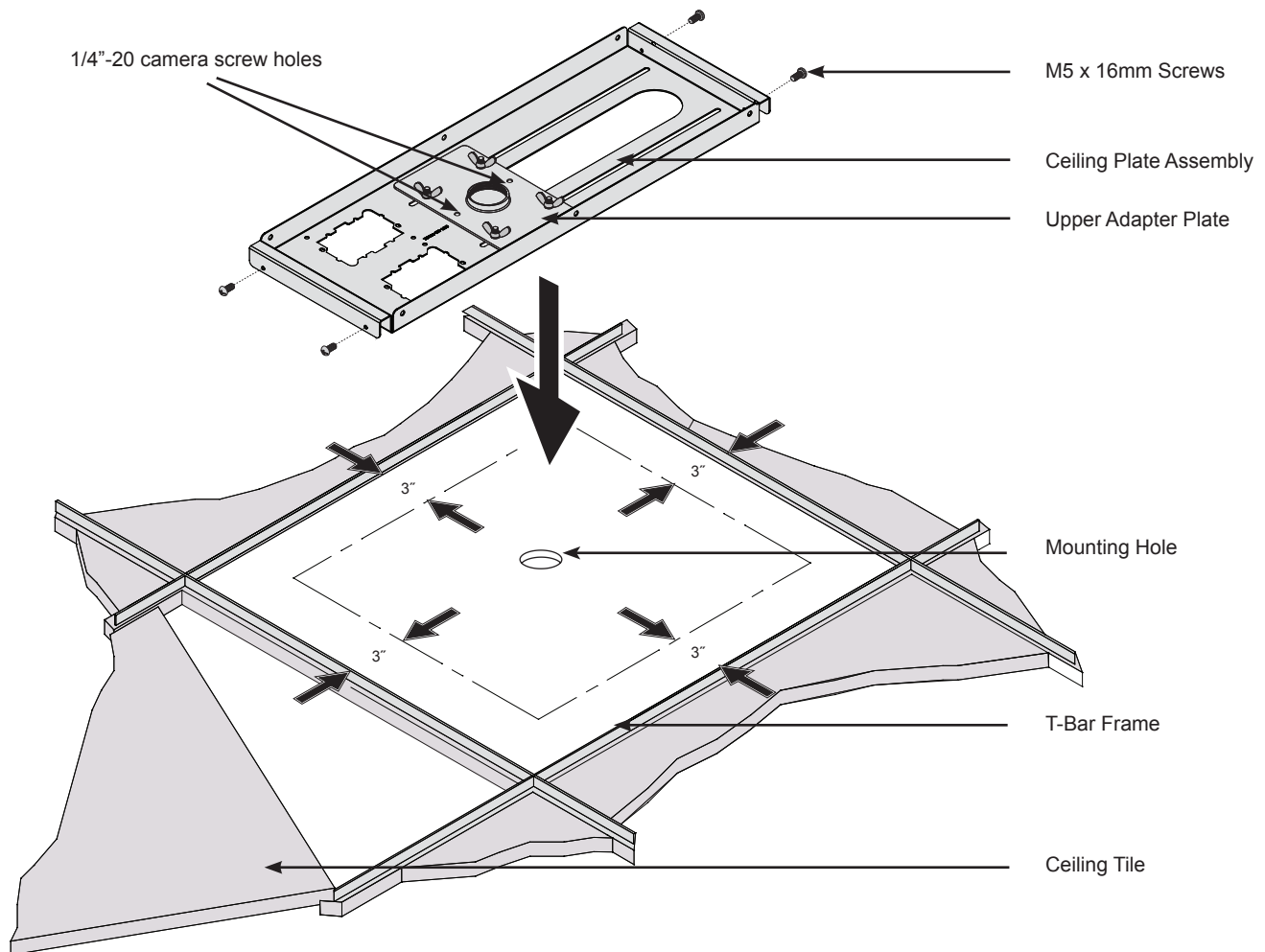
The escutcheon ring has been designed for use with 1-1/2" and 2" NPT.



## Mounting the PP-FCTA-QL

- 1) Pre-set four (4) M5 x 16mm combo screws on the ceiling plate assembly (two on each end of the plate).
- 2) Remove any of the 24" x 24" or 24" x 48" tiles that are surrounding the marked tile.
- 3) Measure 3" from the edge of the t-bar frame to the inside of the tile (do this for all four edges of the ceiling tile).
- 4) The mounting hole should be located in the center-most location of the ceiling tile.
- 5) Once the mounting hole has been cut, place the ceiling plate assembly on the t-bar rails.

Proceed to "Securing the Ceiling Plate" section.





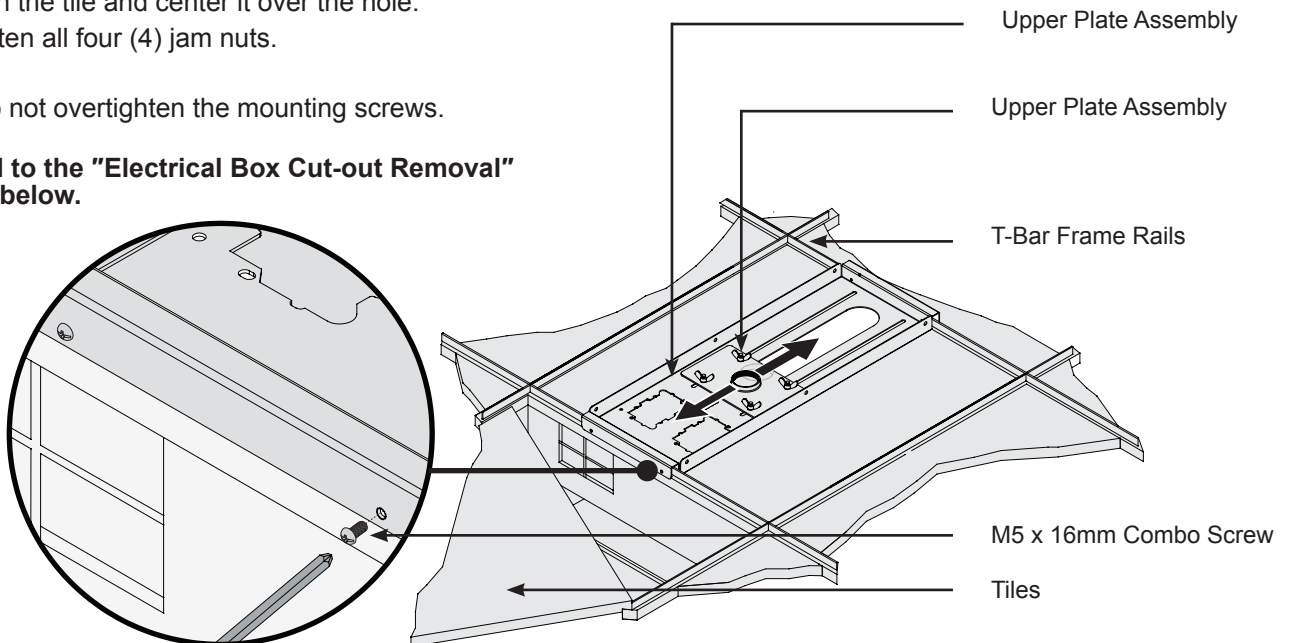
## Securing the Ceiling Plate

- 1) Once the ceiling plate assembly is resting on the t-bar frame rails, use a screwdriver to tighten the four (4) M5 x 16mm combo screws.
- 2) Slide the upper plate assembly over the hole that was cut in the tile and center it over the hole.
- 3) Tighten all four (4) jam nuts.



Do not overtighten the mounting screws.

Proceed to the "Electrical Box Cut-out Removal" section below.



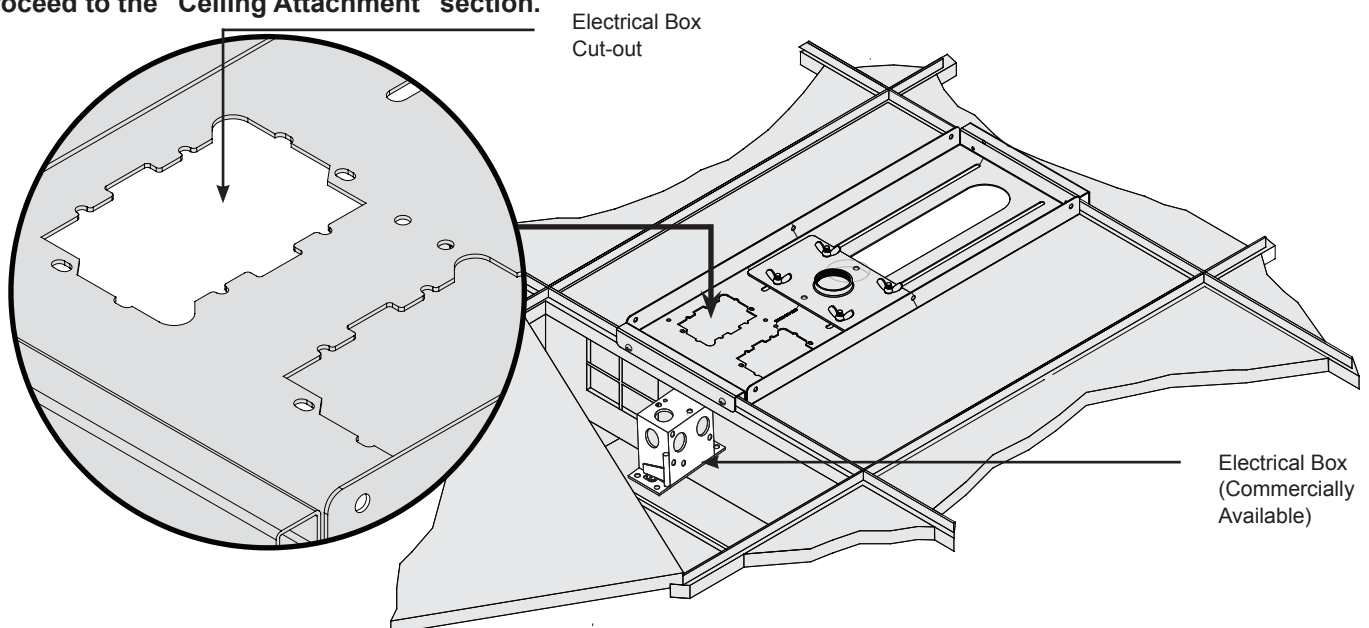
## Electrical Box Cut-out Removal



Electrical installation should be done in accordance to local codes and regulations.


- 1) Cut the tile where the electrical box is going to be secured.
- 2) Using (commercially available) hardware depending on electrical installation environment, install the electrical box and secure it to the ceiling plate assembly.
- 3) Make all electrical connections at this time.


Proceed to the "Ceiling Attachment" section.





## Ceiling Attachment

 The PP-FCTA-QL must be secured using the Quick Locks and 1/16" braided cables (supplied).

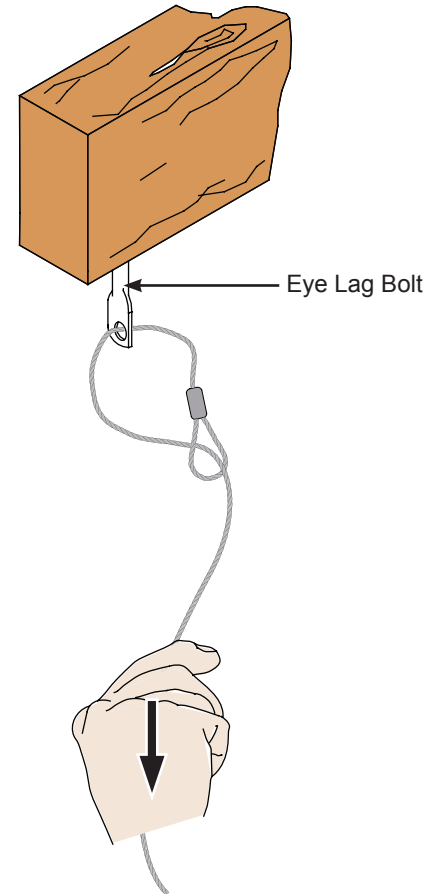
 Anchoring eye bolts are commercially available.

### Wood Stud Ceiling

- 1) Determine the mounting location.
- 2) Use a 1/8" drill bit to pre-drill the mounting holes.
- 3) Secure the four (4) 1/4" eye lag screws to the wood stud in the ceiling.
- 4) Run the open end of the 1/16" braided cable through the hole in the eye lag screw.
- 5) Run the open end through the loop.
- 6) Pull the open end down until the 1/16" braided cable tightens around the eye lag screw.
- 7) Repeat 1 through 6 for the remaining three mounting points.

Proceed to the "Quick Lock Installation" on page 10.

### Wood Stud

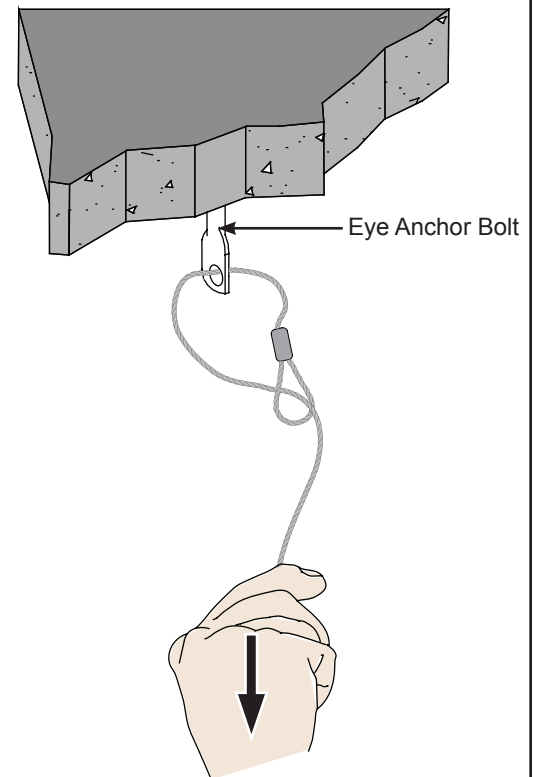


### Concrete Ceiling

- 1) Determine the mounting location.
- 2) Use a 1/4" concrete drill bit to pre-drill the mounting holes.
- 3) Place the concrete anchor into the pre-drilled hole and gently tap into place using a rubber mallet or hammer.
- 4) Run the open end of the 1/16" braided cable through the hole in the eye anchor bolt.
- 5) Run the open end through the loop.
- 6) Pull the open end down until the braided cable tightens around the eye anchor bolt.
- 7) Repeat 1 through 6 for the remaining three mounting points.

Proceed to the "Quick Lock Installation" on page 10.

### Solid Surface

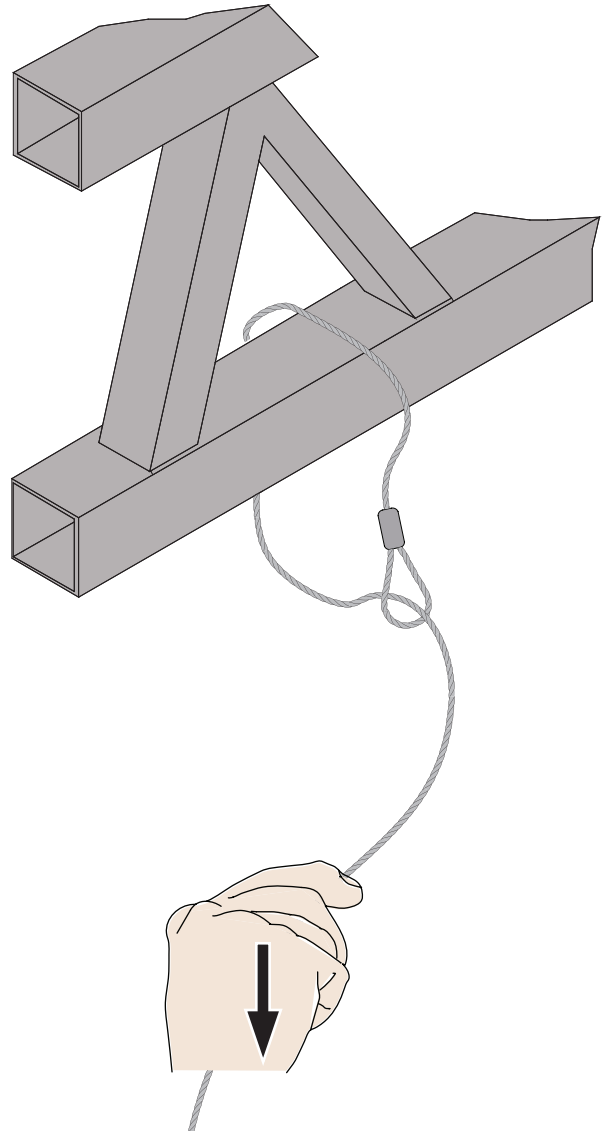




**Truss Ceiling**

- 1) Loop the braided cable around the truss.
- 2) Run the open end of the  $\frac{1}{16}$ " braided cable through the hole in the loop.
- 3) Pull the open end down until the  $\frac{1}{16}$ " braided cable tightens around the truss.
- 4) Repeat ❶ through ❸ for the remaining three mounting points.

**Proceed to the "Quick Lock Installation" section on page 10.**

**Ceiling Truss**



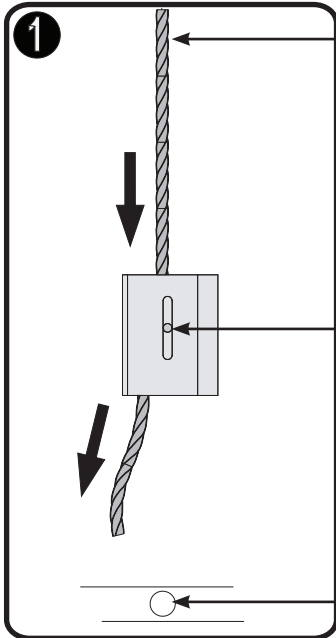
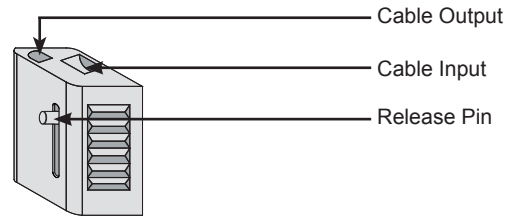
# Quick Lock Installation

## Step 1



Feed the 1/16" braided cable into the Quick Lock (see directional input arrows). To release the 1/16" braided cable, slide the release pin to disengage.

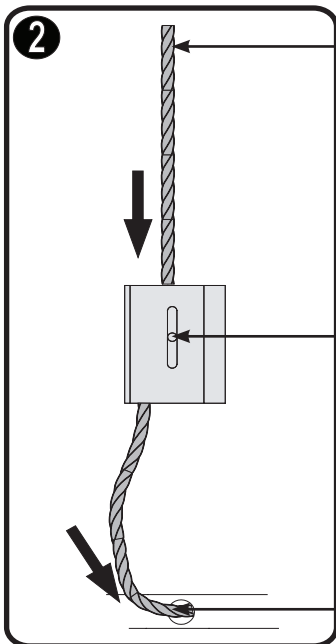
Please follow the steps below in numerical order (1, 2, 3 and 4) to correctly install the Quick Lock Cable Kit.



1/16" Braided Cable

Release Pin

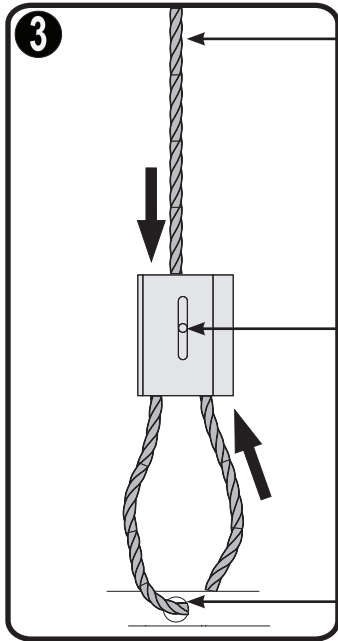
Mounting Hole



1/16" Braided Cable

Release Pin

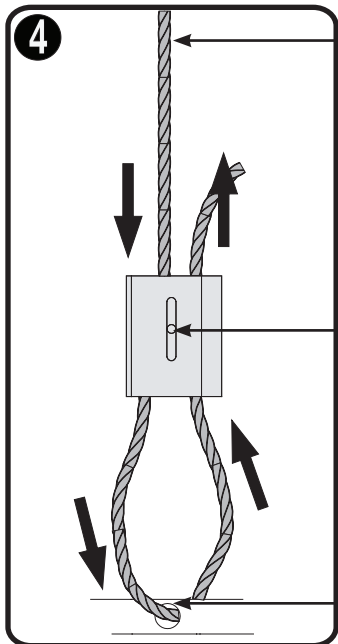
Mounting Hole



1/16" Braided Cable

Release Pin

Mounting Hole



1/16" Braided Cable

Release Pin

Mounting Hole

**Step 5**

To relieve tension on the  $\frac{1}{16}$ " braided cable, slide the release pin on the Quick Lock.

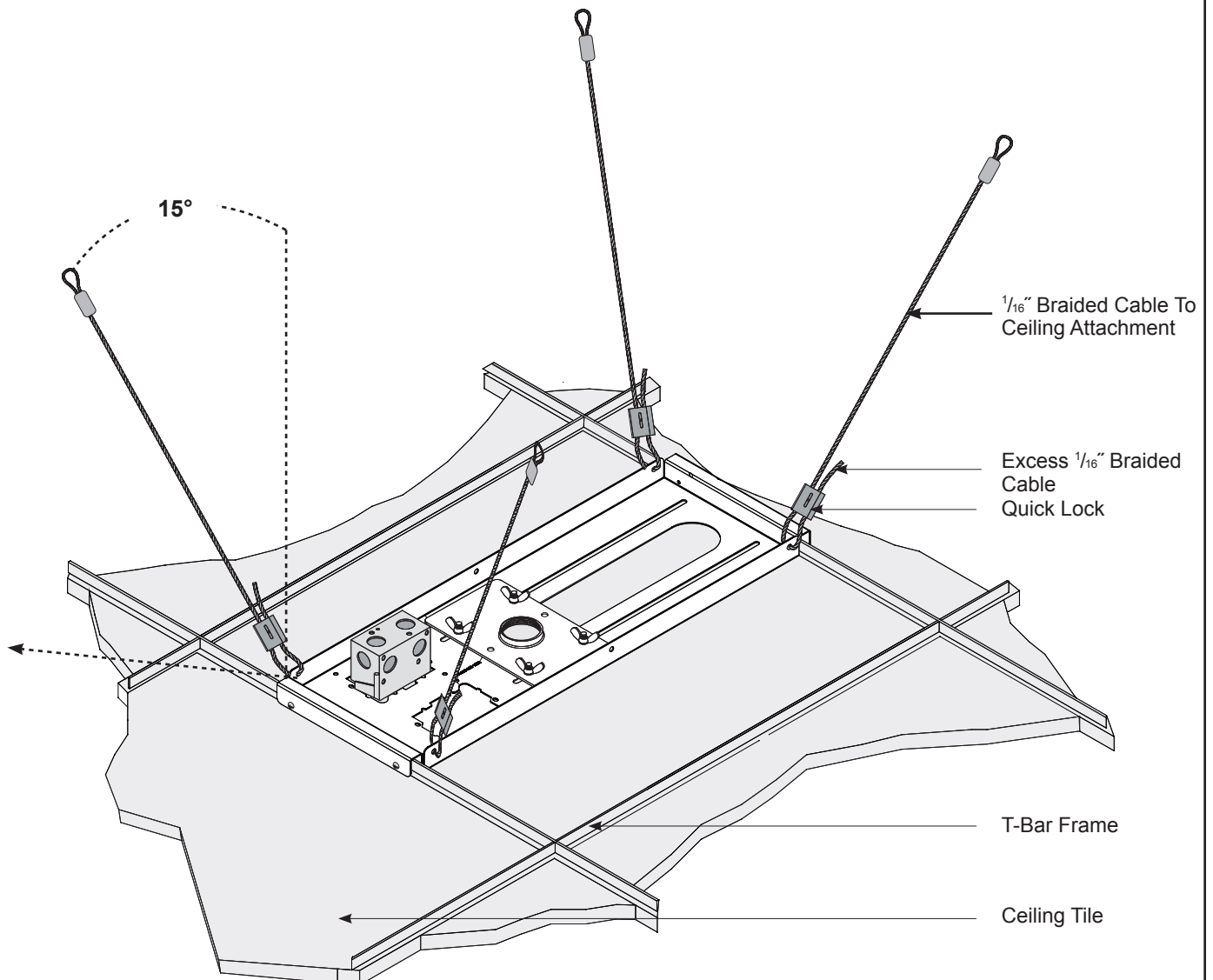
- 1) Adjust the  $\frac{1}{16}$ " braided cable tension and placement so that the cable forms a  $15^\circ$  angle away from the corner of the ceiling plate.



Do not overtighten the cable tension.

- 2) When adjusting the tension of the weight-bearing side of the Quick Lock, the  $\frac{1}{16}$ " braided cable must be pulled through the Quick Lock until the desired tension is attained.
- 3) Once attained, pull the  $\frac{1}{16}$ " braided cable through the other side of the Quick Lock.
- 4) Once the tension has been adjusted, be sure that there is a minimum of 6" of excess  $\frac{1}{16}$ " braided cable on the non-weight bearing side of the Quick Lock.
- 5) Use cable cutters to remove any remaining  $\frac{1}{16}$ " braided cable (optional).

**Proceed to the "Securing 1  $\frac{1}{2}$ " NPT" section.**

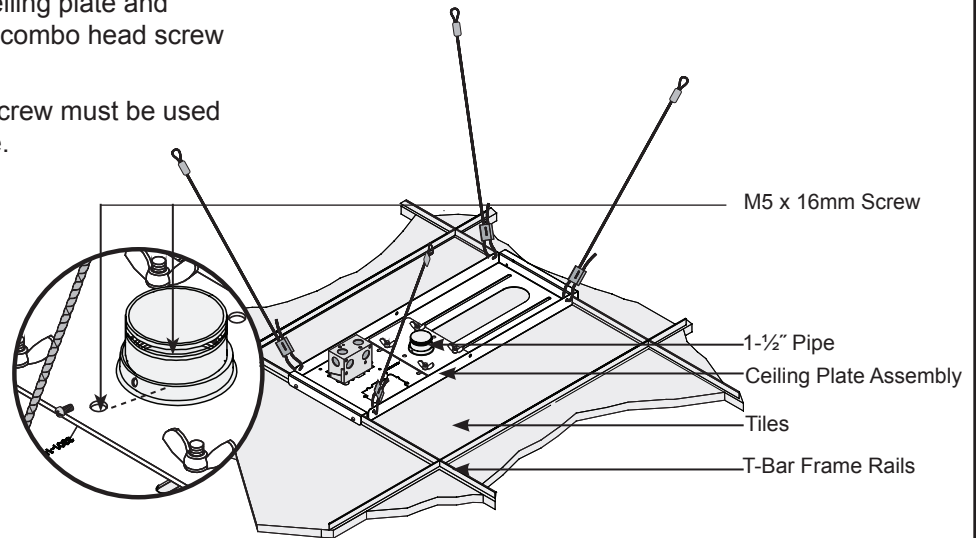




## Securing 1 1/2" NPT to the PP-FCTA-QL

Secure the 1 1/2" (NPT) pipe to the ceiling plate and tighten by using one (1) M5 x 16mm combo head screw to the plate.

**!** The M5 x 16mm combo head screw must be used to stabilize the 1 1/2" (NPT) pipe.



## Camera Screw Installation (optional)

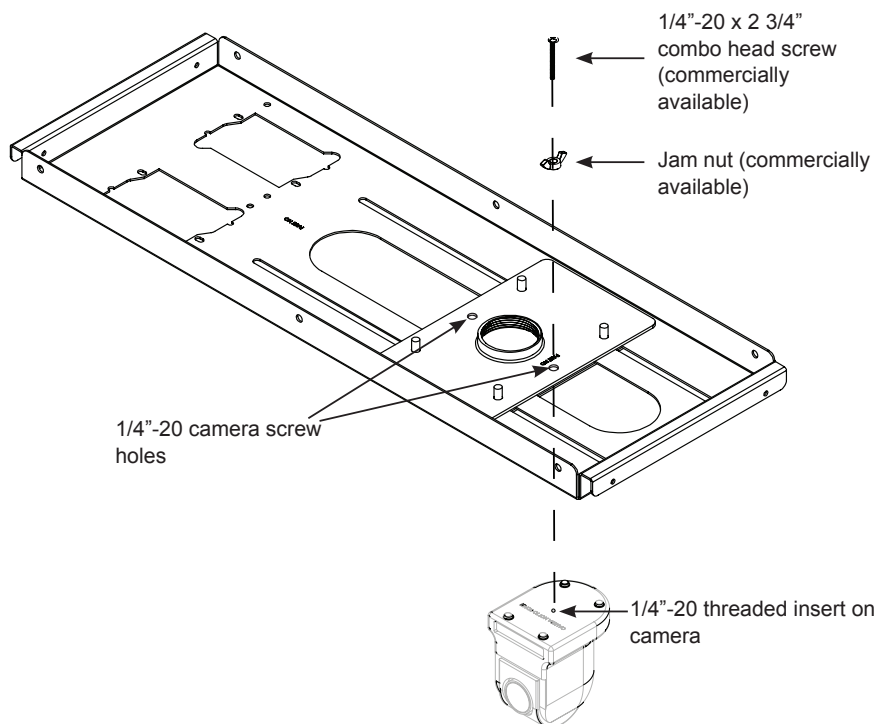
**!** Make sure the camera supports one (1) 1/4"-20 screw.

1. Determine which screw hole on the upper adapter plate you will use to attach the camera.
2. Insert one (1) 1/4"-20 x 2 3/4" pan Phillips head screw (commercially available) through one (1) wing nut (commercially available) and the desired screw hole.



The screw should go through both the upper and lower adapter plates. It will later be used to mount the camera).

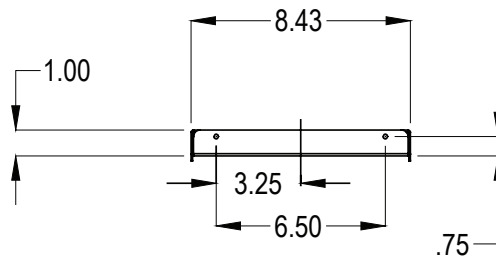
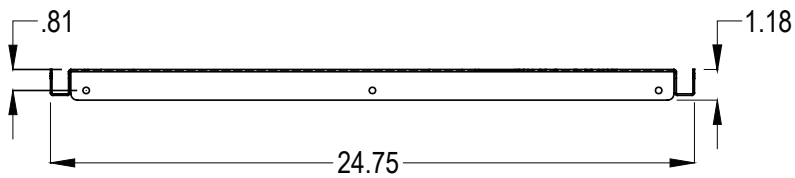
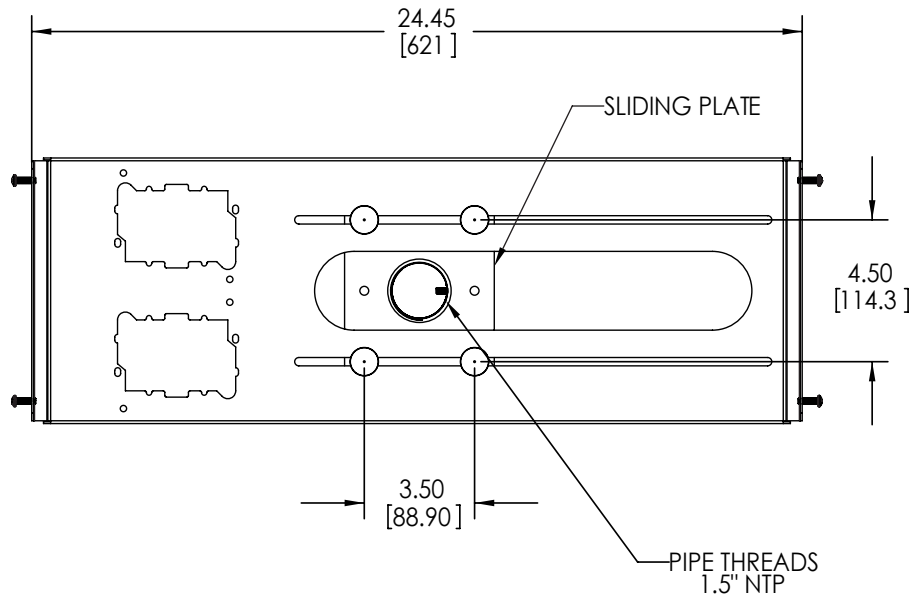
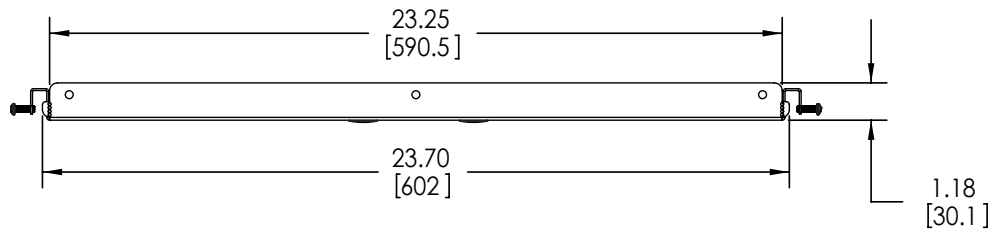
**!** Do not overtighten the mounting screw.





### Technical Specifications

All measurements are in inches.





## Warranty

### PREMIER MOUNTS LIMITED LIFETIME WARRANTY

#### What and Who is Covered by this Limited Warranty and for How Long

Premier Mounts warrants this product to be free from defects in material and workmanship for the lifetime of the original owner of this product. The limited warranty is valid only for the original purchaser of the product.

#### What Premier Mounts Will Do

At the sole option of Premier Mounts, Premier Mounts will repair or replace any product or product part that is defective. If Premier Mounts chooses to replace a defective product or part, a replacement product or part will be shipped to you at no charge, but you must pay any labor costs.

#### What is Not Covered; Limitations

PREMIER MOUNTS DISCLAIMS ANY LIABILITY FOR DAMAGE TO MOUNTS, ADAPTERS, DISPLAYS, PROJECTORS, OTHER PROPERTY, OR PERSONAL INJURY RESULTING, IN WHOLE OR IN PART, FROM IMPROPER INSTALLATION, MODIFICATION, USE OR MISUSE OF ITS PRODUCTS.

PREMIER MOUNTS DISCLAIMS ALL OTHER WARRANTIES, EXPRESS OR IMPLIED, INCLUDING WARRANTIES OF MERCHANTABILITY AND FITNESS FOR A PARTICULAR PURPOSE. PREMIER MOUNTS IS NOT RESPONSIBLE FOR INCIDENTAL OR CONSEQUENTIAL DAMAGES, INCLUDING BUT NOT LIMITED TO, INABILITY TO USE ITS PRODUCTS OR LABOR COSTS FOR REMOVING AND REPLACING DEFECTIVE PRODUCTS OR PARTS. SOME STATES DO NOT ALLOW THE EXCLUSION OR LIMITATION OF INCIDENTAL OR CONSEQUENTIAL DAMAGES, SO THE ABOVE LIMITATION OR EXCLUSION MAY NOT APPLY TO YOU.

#### What Customers Must Do for Limited Warranty Service

If you discover a problem that you think may be covered by the warranty you MUST REPORT it in writing to the address below within thirty (30) days. Proof of purchase (an original sales receipt) from the original consumer purchaser must accompany all warranty claims. Warranty claims must also include a description of the problem, the purchaser's name, address, and telephone number. General inquiries can be addressed to Premier Mounts Customer Service at 1-800-368-9700. Warranty claims will not be accepted over the phone or by fax.

Premier Mounts  
Attn: Warranty Claim  
3130 East Miraloma Ave.  
Anaheim, CA 92806

#### How State Law Applies

THIS WARRANTY GIVES YOU SPECIFIC LEGAL RIGHTS, AND YOU MAY ALSO HAVE OTHER RIGHTS WHICH VARY FROM STATE TO STATE.

## Disclaimer

Premier Mounts intends to make this manual accurate and complete. However, Premier Mounts makes no claim that the information contained herein covers all details, conditions or variations, nor does it provide for every possible contingency in connection with the installation or use of this product. The information contained in this document is subject to change without notice or obligation of any kind. Premier Mounts makes no representation of warranty, expressed or implied, regarding the information contained herein. Premier Mounts assumes no responsibility for accuracy, completeness or sufficiency of the information contained in this document.

## Disclaimer

### NORTH AMERICA

3130 East Miraloma Avenue  
Anaheim, CA 92806 USA  
USA and Canada  
Phone: 1-800-368-9700  
Fax: 1-800-832-4888  
Other Locations  
Phone: (001) 714-632-7100  
Fax: (001) 714-632-1044

### EUROPE

Unit 3, The Moorings Business Park,  
Channel Way, Longford,  
Coventry, CV6 6RH, UK  
Phone: +44 (0) 24 7664 4105  
Fax: +44 (0) 24 7664 4165